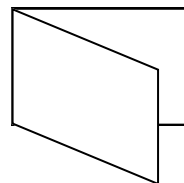


KNOW YOUR RIGHTS CARDS FOR SPANISH SPEAKERS

To print, use a heavy-weighted paper or card stock. Make sure color of text is visible against color of paper used. Cut cards along the dotted lines. If you cannot print on both sides, fold on the center line to make a 2-sided card.



USTED TIENE DERECHOS CONSTITUCIONALES:

NO ABRA LA PUERTA

si un agente de inmigración está tocando la puerta.

NO CONTESTE NINGUNA PREGUNTA

de un agente de inmigración si trata de hablar con usted. Usted tiene el derecho a guardar silencio.

NO FIRME NADA sin antes hablar con un abogado. Usted tiene el derecho de hablar con un abogado.

Si usted está fuera de su casa, pregúntele al agente si tiene la libertad de irse y si le dice que sí, váyase con tranquilidad.

ENTRÉGUELE ESTA TARJETA AL AGENTE.

Si usted está dentro de su casa, muestre la tarjeta por la ventana o pásela debajo de la puerta.

santacruzcountyca.gov/santuario



CONOZCA SUS DERECHOS

Llame al 831-239-4289 para encontrar recursos y reportar actividad de agentes de inmigración en el Condado de Santa Cruz.

I AM EXERCISING MY RIGHT TO REMAIN SILENT.

I do not wish to speak with you, answer your questions, or sign or hand you any documents based on my Fifth Amendment rights under the United States Constitution.

I do not give you permission to enter my home based on my Fourth Amendment rights under the United States Constitution unless you have a warrant to enter, signed by a judge or magistrate with my name on it that you slide under the door.

I do not give you permission to search any of my belongings based on my Fourth Amendment rights.

I choose to exercise my constitutional rights.

These cards are available to citizens and noncitizens alike.

USTED TIENE DERECHOS CONSTITUCIONALES:

NO ABRA LA PUERTA

si un agente de inmigración está tocando la puerta.

NO CONTESTE NINGUNA PREGUNTA

de un agente de inmigración si trata de hablar con usted. Usted tiene el derecho a guardar silencio.

NO FIRME NADA sin antes hablar con un abogado. Usted tiene el derecho de hablar con un abogado.

Si usted está fuera de su casa, pregúntele al agente si tiene la libertad de irse y si le dice que sí, váyase con tranquilidad.

ENTRÉGUELE ESTA TARJETA AL AGENTE.

Si usted está dentro de su casa, muestre la tarjeta por la ventana o pásela debajo de la puerta.

santacruzcountyca.gov/santuario



CONOZCA SUS DERECHOS

Llame al 831-239-4289 para encontrar recursos y reportar actividad de agentes de inmigración en el Condado de Santa Cruz.

I AM EXERCISING MY RIGHT TO REMAIN SILENT.

I do not wish to speak with you, answer your questions, or sign or hand you any documents based on my Fifth Amendment rights under the United States Constitution.

I do not give you permission to enter my home based on my Fourth Amendment rights under the United States Constitution unless you have a warrant to enter, signed by a judge or magistrate with my name on it that you slide under the door.

I do not give you permission to search any of my belongings based on my Fourth Amendment rights.

I choose to exercise my constitutional rights.

These cards are available to citizens and noncitizens alike.

USTED TIENE DERECHOS CONSTITUCIONALES:

NO ABRA LA PUERTA

si un agente de inmigración está tocando la puerta.

NO CONTESTE NINGUNA PREGUNTA

de un agente de inmigración si trata de hablar con usted. Usted tiene el derecho a guardar silencio.

NO FIRME NADA sin antes hablar con un abogado. Usted tiene el derecho de hablar con un abogado.

Si usted está fuera de su casa, pregúntele al agente si tiene la libertad de irse y si le dice que sí, váyase con tranquilidad.

ENTRÉGUELE ESTA TARJETA AL AGENTE.

Si usted está dentro de su casa, muestre la tarjeta por la ventana o pásela debajo de la puerta.

santacruzcountyca.gov/santuario



CONOZCA SUS DERECHOS

Llame al 831-239-4289 para encontrar recursos y reportar actividad de agentes de inmigración en el Condado de Santa Cruz.

I AM EXERCISING MY RIGHT TO REMAIN SILENT.

I do not wish to speak with you, answer your questions, or sign or hand you any documents based on my Fifth Amendment rights under the United States Constitution.

I do not give you permission to enter my home based on my Fourth Amendment rights under the United States Constitution unless you have a warrant to enter, signed by a judge or magistrate with my name on it that you slide under the door.

I do not give you permission to search any of my belongings based on my Fourth Amendment rights.

I choose to exercise my constitutional rights.

These cards are available to citizens and noncitizens alike.

USTED TIENE DERECHOS CONSTITUCIONALES:

NO ABRA LA PUERTA

si un agente de inmigración está tocando la puerta.

NO CONTESTE NINGUNA PREGUNTA

de un agente de inmigración si trata de hablar con usted. Usted tiene el derecho a guardar silencio.

NO FIRME NADA sin antes hablar con un abogado. Usted tiene el derecho de hablar con un abogado.

Si usted está fuera de su casa, pregúntele al agente si tiene la libertad de irse y si le dice que sí, váyase con tranquilidad.

ENTRÉGUELE ESTA TARJETA AL AGENTE.

Si usted está dentro de su casa, muestre la tarjeta por la ventana o pásela debajo de la puerta.

santacruzcountyca.gov/santuario



CONOZCA SUS DERECHOS

Llame al 831-239-4289 para encontrar recursos y reportar actividad de agentes de inmigración en el Condado de Santa Cruz.

I AM EXERCISING MY RIGHT TO REMAIN SILENT.

I do not wish to speak with you, answer your questions, or sign or hand you any documents based on my Fifth Amendment rights under the United States Constitution.

I do not give you permission to enter my home based on my Fourth Amendment rights under the United States Constitution unless you have a warrant to enter, signed by a judge or magistrate with my name on it that you slide under the door.

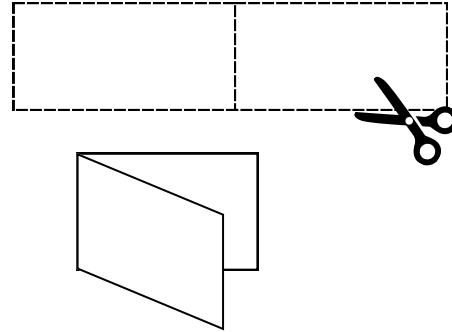
I do not give you permission to search any of my belongings based on my Fourth Amendment rights.

I choose to exercise my constitutional rights.

These cards are available to citizens and noncitizens alike.

KNOW YOUR RIGHTS CARDS FOR ENGLISH SPEAKERS

To print, use a heavy-weighted paper or card stock. Make sure color of text is visible against color of paper used. Cut cards along the dotted lines. If you cannot print on both sides, fold on the center line to make a 2-sided card.



YOU HAVE CONSTITUTIONAL RIGHTS:

DO NOT OPEN THE DOOR

if an immigration agent is knocking on the door.

DO NOT ANSWER ANY QUESTIONS

from an immigration agent if they try to talk to you. You have the right to remain silent.

DO NOT SIGN ANYTHING without first speaking to a lawyer. You have the right to speak with a lawyer.

If you are outside of your home, ask the agent if you are free to leave. If they say yes, leave calmly.

GIVE THIS CARD TO THE AGENT.

If you are inside of your home, show the card through the window or slide it under the door.



KNOW YOUR RIGHTS

Call 831-239-4289 to report ICE activity in Santa Cruz County and find resources.

santacruzcountyca.gov/sanctuary

I AM EXERCISING MY RIGHT TO REMAIN SILENT.

I do not wish to speak with you, answer your questions, or sign or hand you any documents based on my Fifth Amendment rights under the United States Constitution.

I do not give you permission to enter my home based on my Fourth Amendment rights under the United States Constitution unless you have a warrant to enter, signed by a judge or magistrate with my name on it that you slide under the door.

I do not give you permission to search any of my belongings based on my Fourth Amendment rights.

I choose to exercise my constitutional rights.

These cards are available to citizens and noncitizens alike.

YOU HAVE CONSTITUTIONAL RIGHTS:

DO NOT OPEN THE DOOR

if an immigration agent is knocking on the door.

DO NOT ANSWER ANY QUESTIONS

from an immigration agent if they try to talk to you. You have the right to remain silent.

DO NOT SIGN ANYTHING without first speaking to a lawyer. You have the right to speak with a lawyer.

If you are outside of your home, ask the agent if you are free to leave. If they say yes, leave calmly.

GIVE THIS CARD TO THE AGENT.

If you are inside of your home, show the card through the window or slide it under the door.



KNOW YOUR RIGHTS

Call 831-239-4289 to report ICE activity in Santa Cruz County and find resources.

santacruzcountyca.gov/sanctuary

I AM EXERCISING MY RIGHT TO REMAIN SILENT.

I do not wish to speak with you, answer your questions, or sign or hand you any documents based on my Fifth Amendment rights under the United States Constitution.

I do not give you permission to enter my home based on my Fourth Amendment rights under the United States Constitution unless you have a warrant to enter, signed by a judge or magistrate with my name on it that you slide under the door.

I do not give you permission to search any of my belongings based on my Fourth Amendment rights.

I choose to exercise my constitutional rights.

These cards are available to citizens and noncitizens alike.

YOU HAVE CONSTITUTIONAL RIGHTS:

DO NOT OPEN THE DOOR

if an immigration agent is knocking on the door.

DO NOT ANSWER ANY QUESTIONS

from an immigration agent if they try to talk to you. You have the right to remain silent.

DO NOT SIGN ANYTHING without first speaking to a lawyer. You have the right to speak with a lawyer.

If you are outside of your home, ask the agent if you are free to leave. If they say yes, leave calmly.

GIVE THIS CARD TO THE AGENT.

If you are inside of your home, show the card through the window or slide it under the door.



KNOW YOUR RIGHTS

Call 831-239-4289 to report ICE activity in Santa Cruz County and find resources.

santacruzcountyca.gov/sanctuary

I AM EXERCISING MY RIGHT TO REMAIN SILENT.

I do not wish to speak with you, answer your questions, or sign or hand you any documents based on my Fifth Amendment rights under the United States Constitution.

I do not give you permission to enter my home based on my Fourth Amendment rights under the United States Constitution unless you have a warrant to enter, signed by a judge or magistrate with my name on it that you slide under the door.

I do not give you permission to search any of my belongings based on my Fourth Amendment rights.

I choose to exercise my constitutional rights.

These cards are available to citizens and noncitizens alike.

YOU HAVE CONSTITUTIONAL RIGHTS:

DO NOT OPEN THE DOOR

if an immigration agent is knocking on the door.

DO NOT ANSWER ANY QUESTIONS

from an immigration agent if they try to talk to you. You have the right to remain silent.

DO NOT SIGN ANYTHING without first speaking to a lawyer. You have the right to speak with a lawyer.

If you are outside of your home, ask the agent if you are free to leave. If they say yes, leave calmly.

GIVE THIS CARD TO THE AGENT.

If you are inside of your home, show the card through the window or slide it under the door.



KNOW YOUR RIGHTS

Call 831-239-4289 to report ICE activity in Santa Cruz County and find resources.

santacruzcountyca.gov/sanctuary

I AM EXERCISING MY RIGHT TO REMAIN SILENT.

I do not wish to speak with you, answer your questions, or sign or hand you any documents based on my Fifth Amendment rights under the United States Constitution.

I do not give you permission to enter my home based on my Fourth Amendment rights under the United States Constitution unless you have a warrant to enter, signed by a judge or magistrate with my name on it that you slide under the door.

I do not give you permission to search any of my belongings based on my Fourth Amendment rights.

I choose to exercise my constitutional rights.

These cards are available to citizens and noncitizens alike.